



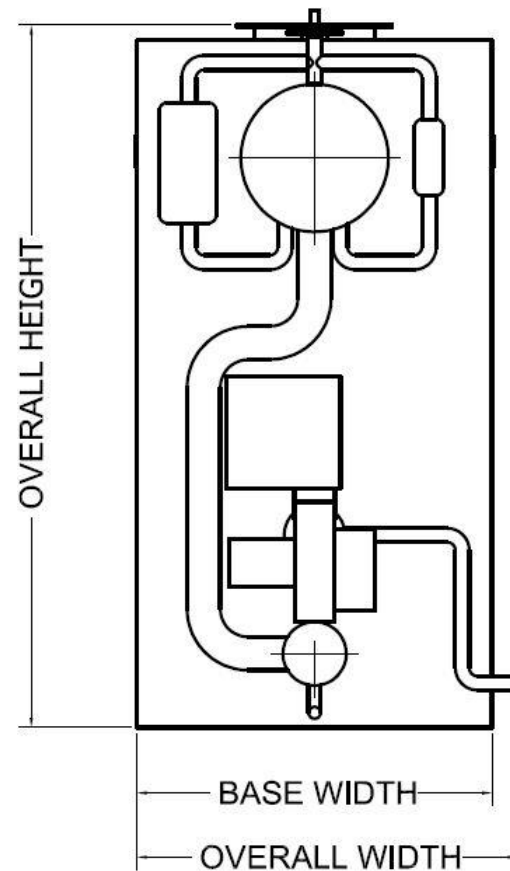
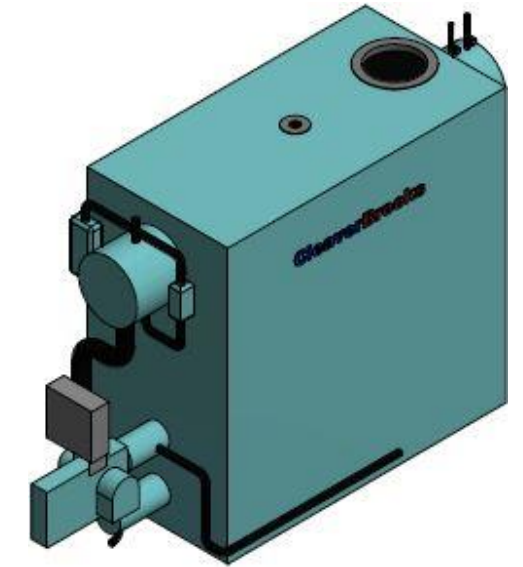
## Dimensions & Ratings

Models: FLX-700-(150 to 1200)-150ST

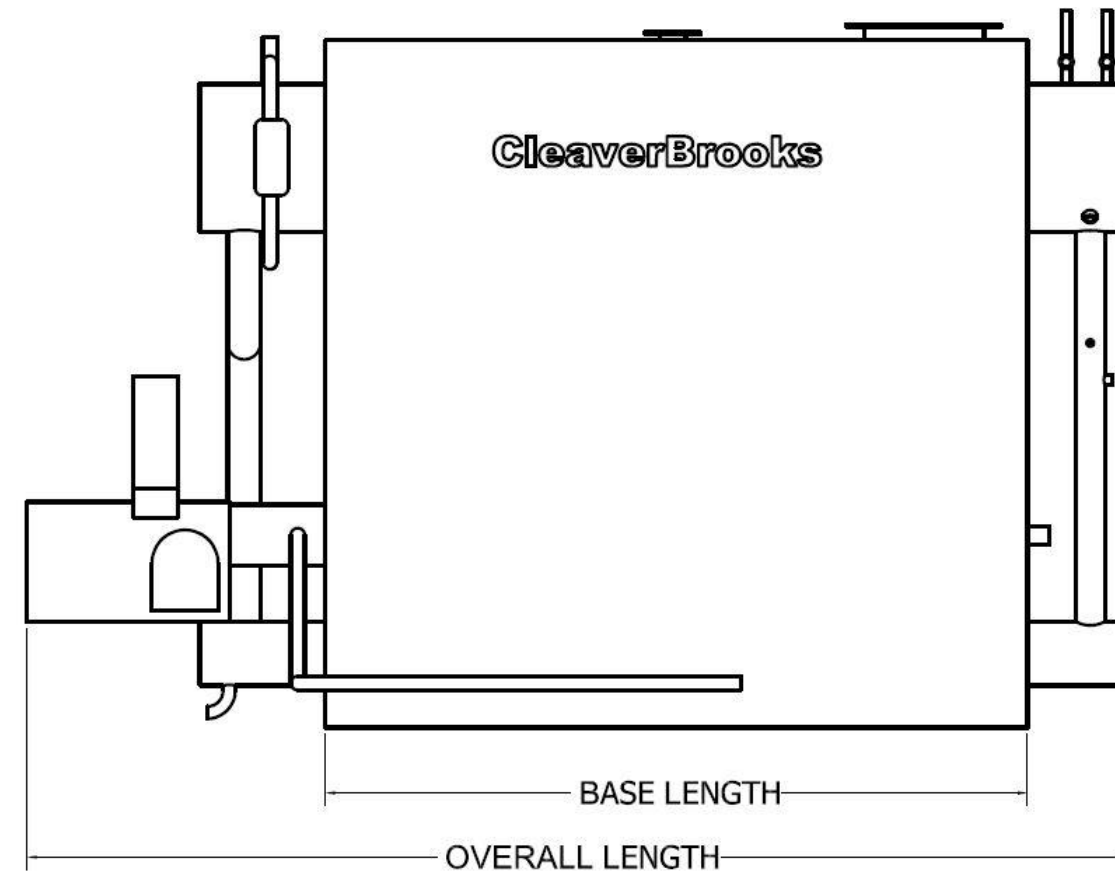
Date Revised: September 21, 2017

APPLICATION DATA – Model: FLX | Fuel Series: 700 | Design Pressure: 150 psi Steam | Operating Pressure: 125 psi | System Voltage: 460/3/60 | NOx Emissions Level: 30ppm | Feedwater Temperature: 212°F | Elevation: 700 ft ASL

Input Capacity [10 MBtu/hr]:	150	200	250	300	350	400	450	500	550	600	700	800	900	1000	1100	1200
<b>Dimensions [in.]</b>																
Overall Height:	87	87	87	91	91	95	95	95	95	95	109	109	109	109	109	109
Overall Width:	48.5	48.5	48.5	50.5	50.5	51.5	51.5	51.5	51.5	51.5	59.5	59.5	59.5	59.5	59.5	59.5
Overall Length:	118.25	118.25	118.25	124.25	127.5	149.5	149.5	149.5	149.5	154.25	176.25	176.25	176.25	208.25	208.25	214.25
Base Width:	42	42	42	46	46	48	48	48	48	48	54	54	54	54	54	54
Base Length:	68	68	68	74	74	95	95	95	95	95	116	116	116	140	140	140
<b>Power Ratings</b>																
Output Capacity [Btu/hr]:	1,205,100	1,606,800	2,008,500	2,410,200	2,811,900	3,213,600	3,615,300	3,983,525	4,385,225	4,786,925	5,590,325	6,393,725	7,197,125	8,000,525	8,803,925	9,607,325
Blower Motor [HP]:	1/2	3/4	3/4	3/4	1	1	2	2	3	5	5	5	7.5	10	10	15
<b>Fuel Consumption Ratings (Approx.)</b>																
Light Oil (140 MBtu/gal.) [gph]:	10.4	14.2	17.7	21.3	24.8	28.3	31.9	35.1	38.7	42.2	49.3	56.4	63.5	70.6	77.6	84.7
Natural Gas (1 MBtu) [cfh]:	1,506	2,009	2,511	3,013	3,515	4,017	4,519	4,979	5,482	5,910	6,902	7,992	8,996	10,001	1,005	12,009
<b>Weights [lb]</b>																
Shipping Weight (Approx.):	5,700	5,700	5,700	6,200	6,200	7,900	7,900	7,900	7,900	7,900	10,200	10,200	10,200	12,000	12,000	12,000
Flooded Total Weight:	7,311	7,311	7,311	7,985	7,985	10,332	10,332	10,332	10,332	10,332	14,052	14,052	14,052	16,665	16,665	16,665
Operating Weight:	6,600	6,600	6,600	7,200	7,200	9,200	9,200	9,200	9,200	9,200	12,500	12,500	12,500	14,100	14,100	14,100



**FRONT VIEW**



**RIGHT SIDE VIEW**

**NOTE: All dimensions are approximate. Product data may vary based on application. Contact your local Cleaver-Brooks representative for additional information.**