



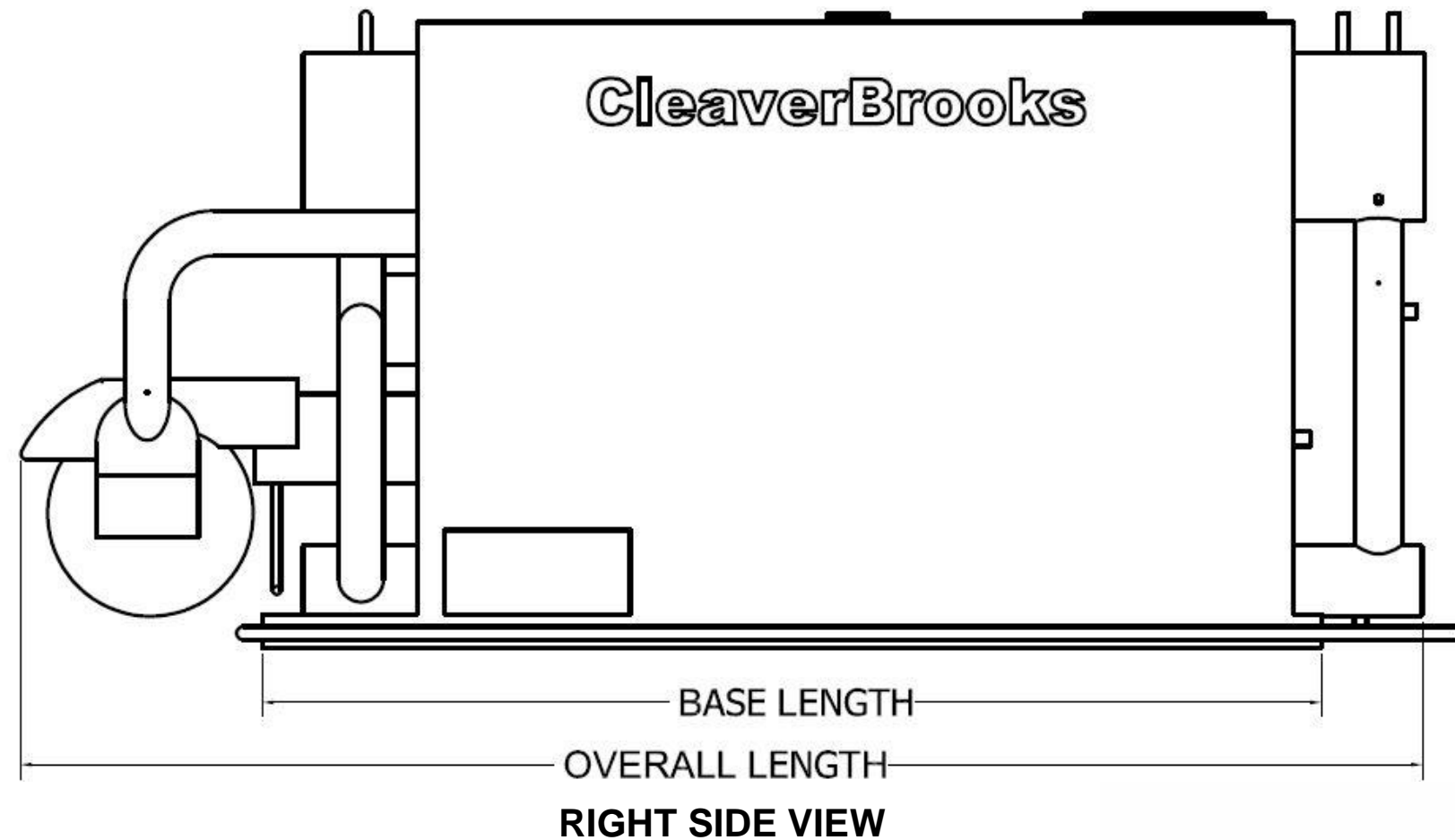
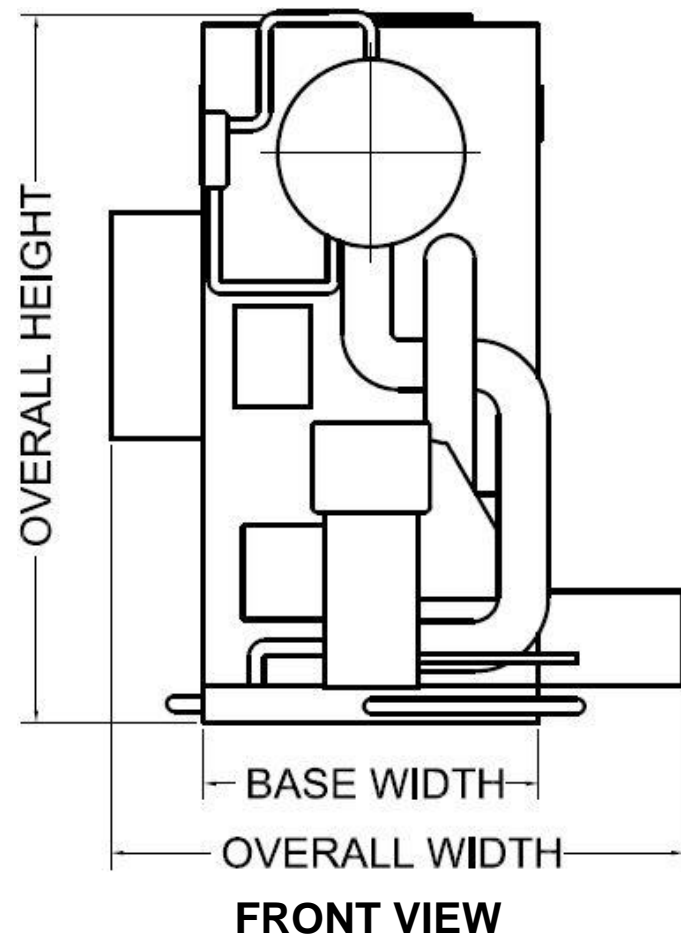
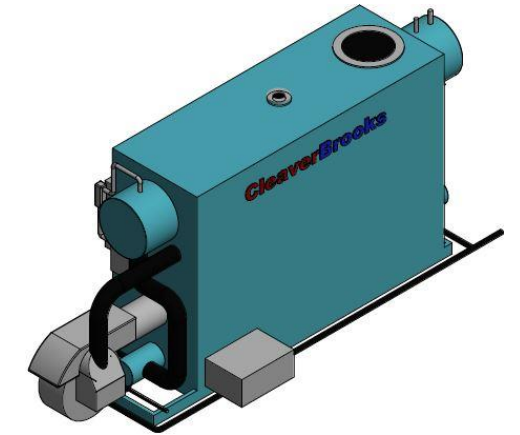
Dimensions & Ratings

Models: FLX-200-(1250 to 2500)-150ST

Date Revised: September 21, 2017

APPLICATION DATA – Model: FLX | Fuel Series: 200 | Design Pressure: 150 psi Steam | Operating Pressure: 125 psi | System Voltage: 460/3/60 | NOx Emissions Level: 30ppm | Feedwater Temperature: 212°F | Elevation: 700 ft ASL

Input Capacity [10 MBtu/hr]:	1250	1450	1650	1850	2100	2500
Dimensions [in.]						
Overall Height:	113	113	121	121	149	149
Overall Width:	91.5	91.5	103.25	103.25	118.25	118.25
Overall Length:	250.5	260.5	276	290	304.5	334.75
Base Width:	53.5	53.5	60	60	75	75
Base Length:	188.75	203.75	217.75	231.75	245.75	276
Power Ratings						
Output Capacity [Btu/hr]:	10,042,500	11,716,250	13,390,000	15,063,750	16,737,500	20,085,000
Blower Motor [HP]:	15	15	15	20	15	25
Oil Pump Motor (No. 2 Oil) [HP]:	1/2	1/2	1/2	1/2	3/4	3/4
Air Compressor Motor (Oil Firing) [HP]:	5	5	7.5	7.5	7.5	7.5
Fuel Consumption Ratings (Approx.)						
Light Oil (140 MBtu/gal.) [gph]:	89.2	104.6	119.4	132.8	147.6	177.1
Natural Gas (1 MBtu) [cfh]:	12,491	14,645	16,717	18,597	20,664	24,796
Weights [lb]						
Shipping Weight (Approx.):	16,000	17,300	21,200	22,200	30,500	34,100
Flooded Total Weight:	18,432	21,153	25,052	26,052	35,165	38,765
Operating Weight:	19,200	20,800	26,300	27,700	38,400	43,100



NOTE: All dimensions are approximate. Product data may vary based on application. Contact your local Cleaver-Brooks representative for additional information.