



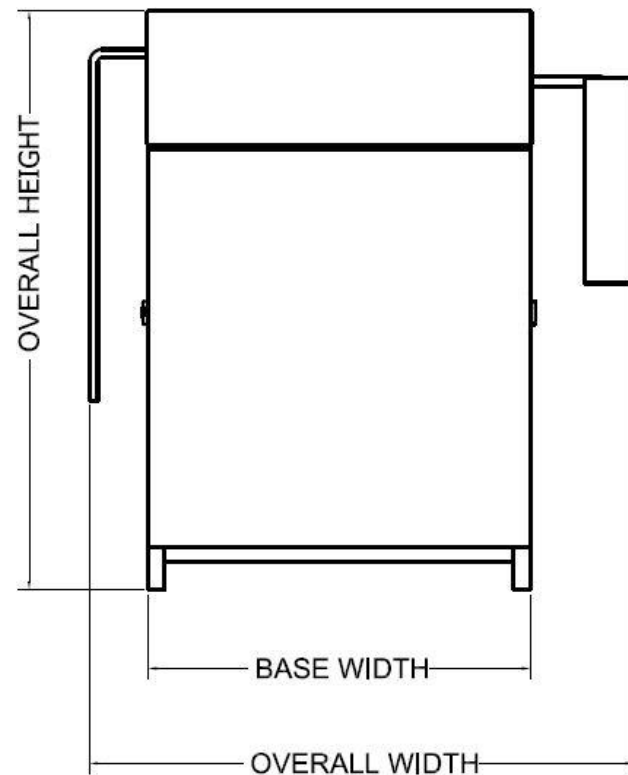
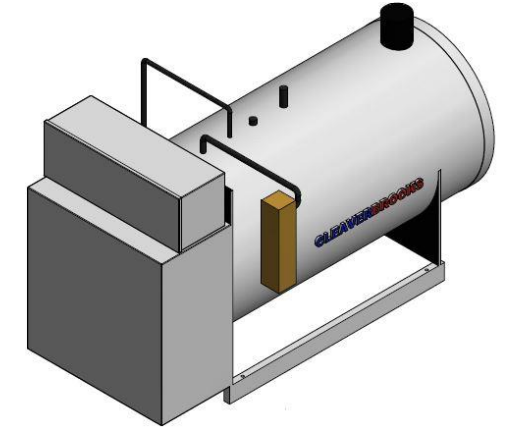
Dimensions & Ratings

Models: CFH-700-(10 to 80)-150ST

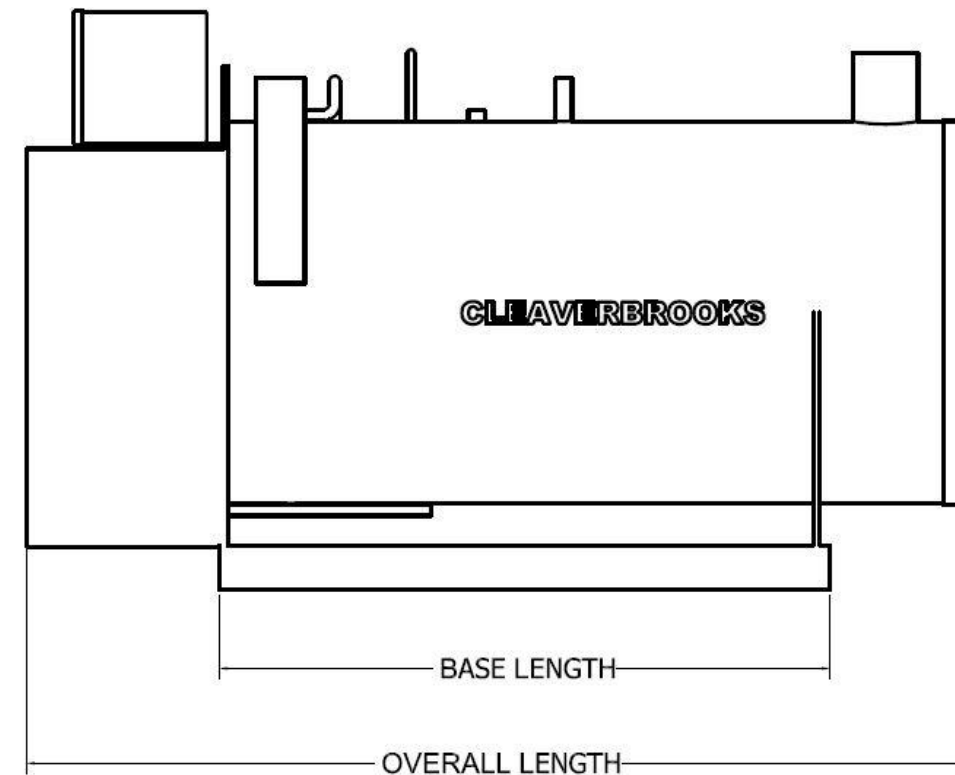
Date Revised: May 17, 2019

APPLICATION DATA – Model: ClearFire® H | Fuel Series: 700 | Design Pressure: 150 psi Steam | System Voltage: 115/1/60 | NOx Emissions Level: <20ppm | Feedwater Temperature: 212°F | Elevation: 700 ft ASL

Boiler Horsepower:	10	15	20	25	30	40	50	60	70	80
Dimensions [in.]										
Overall Height:	53	53	56.5	56.5	65	65	67	67	77.5	77.5
Overall Width:	50	50	51.5	51.5	60	60	65	65	68.25	68.25
Overall Length:	86.75	86.75	86.25	86.25	90.75	99	110.25	110.25	115	115
Base Width:	35	35	38.5	38.5	46.5	46.75	52.5	52.5	60.75	60.75
Base Length:	56	56	58	58	60	68	70	70	72	72
Power Ratings										
Output Capacity [Btu/hr]:	334,750	502,125	669,500	836,875	1,004,250	1,339,000	1,673,750	2,008,500	2,343,000	2,678,000
Blower Motor [HP]:	4	4	4	4	4	8.8	12	12	12	12
Fuel Consumption Ratings (Approx.)										
Natural Gas (1 MBtu) [cfh]:	408	612	816	1,020	1,225	1,633	2,041	2,449	2,857	3,266
Propane (2.5 Mbtu) [cfh]:	163	245	327	408	490	653	817	980	1,143	1,306
Weights [lb]										
Shipping Weight (Approx.):	2,450	2,450	2,750	2,750	3,700	3,700	5,400	5,400	6,970	7,290
Normal Water Weight:	1,010	1,010	1,250	1,250	1,850	2,150	2,700	2,700	4,676	4,576
Operating Weight:	3,030	3,030	3,660	3,660	5,010	5,850	8,300	8,300	11,646	11,866



FRONT VIEW



RIGHT SIDE VIEW

NOTE: All dimensions are approximate. Product data may vary based on application. Contact your local Cleaver-Brooks representative for additional information.