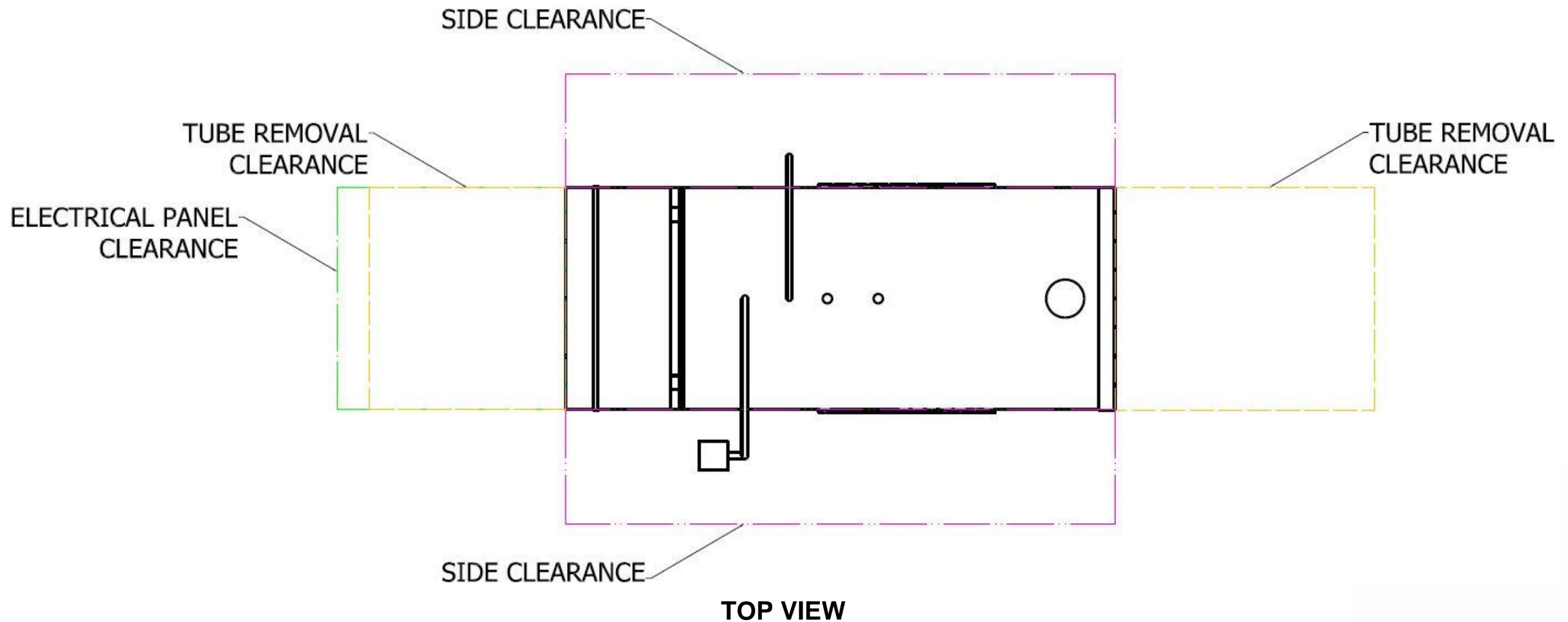
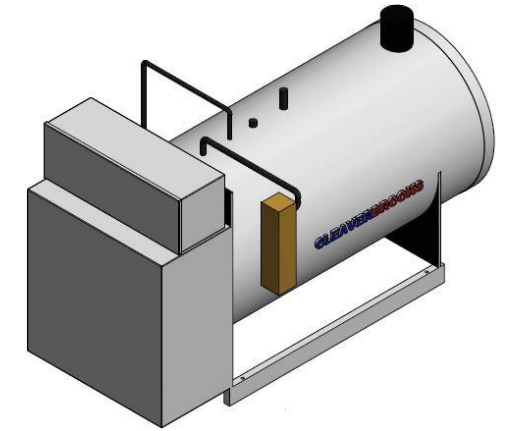


APPLICATION DATA – Model: ClearFire® H | Fuel Series: 700 | Design Pressure: 150 psi Steam | System Voltage: 115/1/60 | NOx Emissions Level: <20ppm | Feedwater Temperature: 212°F | Elevation: 700 ft ASL

Boiler Horsepower:	DIM	10	15	20	25	30	40	50	60	70	80
Clearances [in.]											
Tube Removal/Door Swing (Front):	ORANGE	31	31	32	32	39	39	46	46	58	58
Tube Removal (Rear):	ORANGE	41	41	41	41	41	49	49	49	49	49
Side Clearance/Between Boilers:	MAGENTA	18	18	18	18	18	18	18	18	18	18
Electrical Panel (115V)	GREEN	36	36	36	36	36	36	36	36	36	36



NOTE: All dimensions are approximate. Product data may vary based on application. Contact your local Cleaver-Brooks representative for additional information.